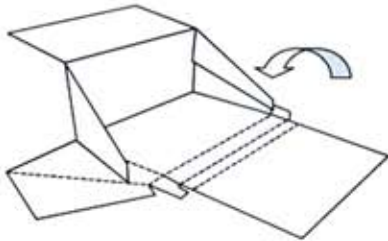


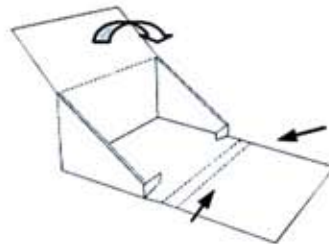
# THREE TRAY FLOORSTAND

## STEP ONE



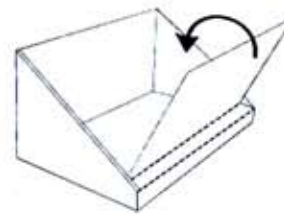
Lift Tray Back Panel up and fold Side Flaps inward. Fold Tray side Panels over Back Panel and lock into place.

## STEP TWO



Fold Back Panel Flap over and lock into place. Fold both small Front Flaps inward.

## STEP THREE



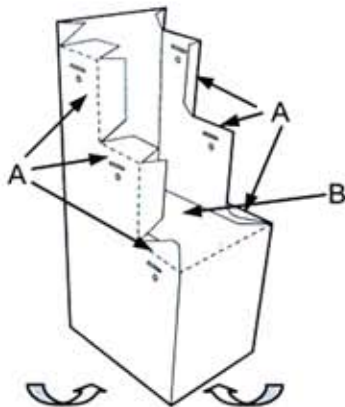
Fold Front Panel over both small Flaps and lock into place.

## STEP FOUR



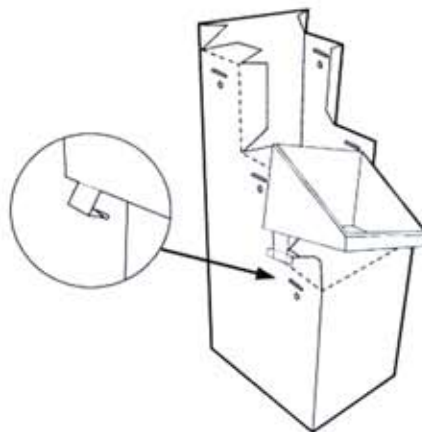
View of Finished Tray.

## STEP FIVE



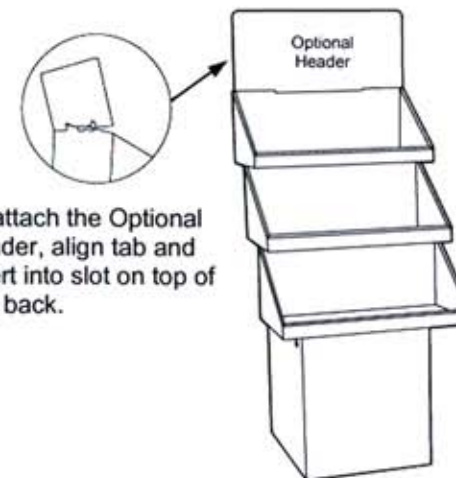
Unfold Base to squared position. Fold Side Flaps down (A). Fold Bottom Flaps under as shown. (B) Fold center flap inward

## STEP SIX



Pull down tabs from bottom of tray. Fold tab wings as shown and slide into slot on side of base to lock. (See Detail)

## STEP SEVEN



To attach the Optional Header, align tab and insert into slot on top of tray back.

**Your 16" Three Tray Floorstand is now ready to PRODUCT LOAD!**



**Recom Group**