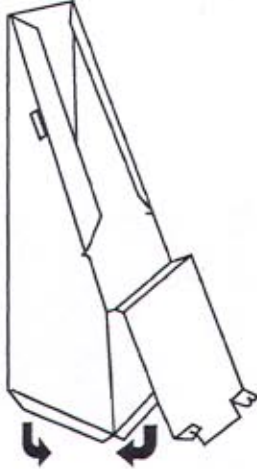


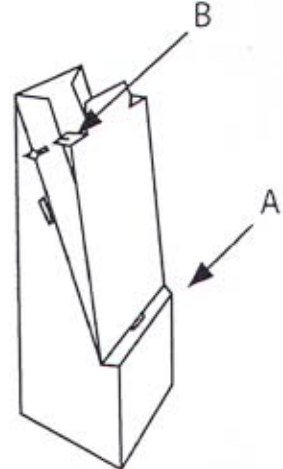
EIGHT TIER FLOORSTAND SET-UP INSTRUCTIONS

Step One



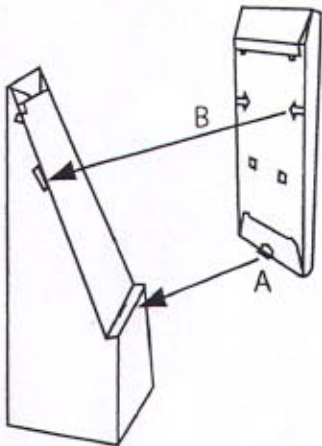
Unfold base to square position and fold all four bottom-flaps under as shown.

Step Two



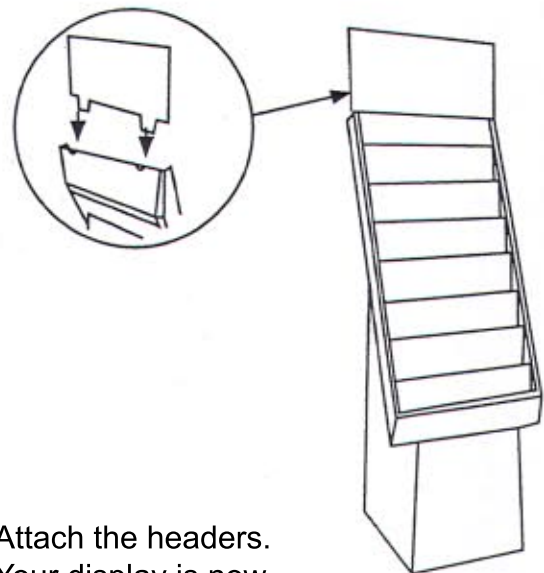
Fold shelf-step section on base. (A)
Insert top flap into slots on back of base. (B)

Step Three



Pull out bottom tab of tray and insert into slot on base.(A)
Pull out side tabs on tray back and insert into slots on sides of base.(B)

Step Four



Attach the headers.
Your display is now complete.